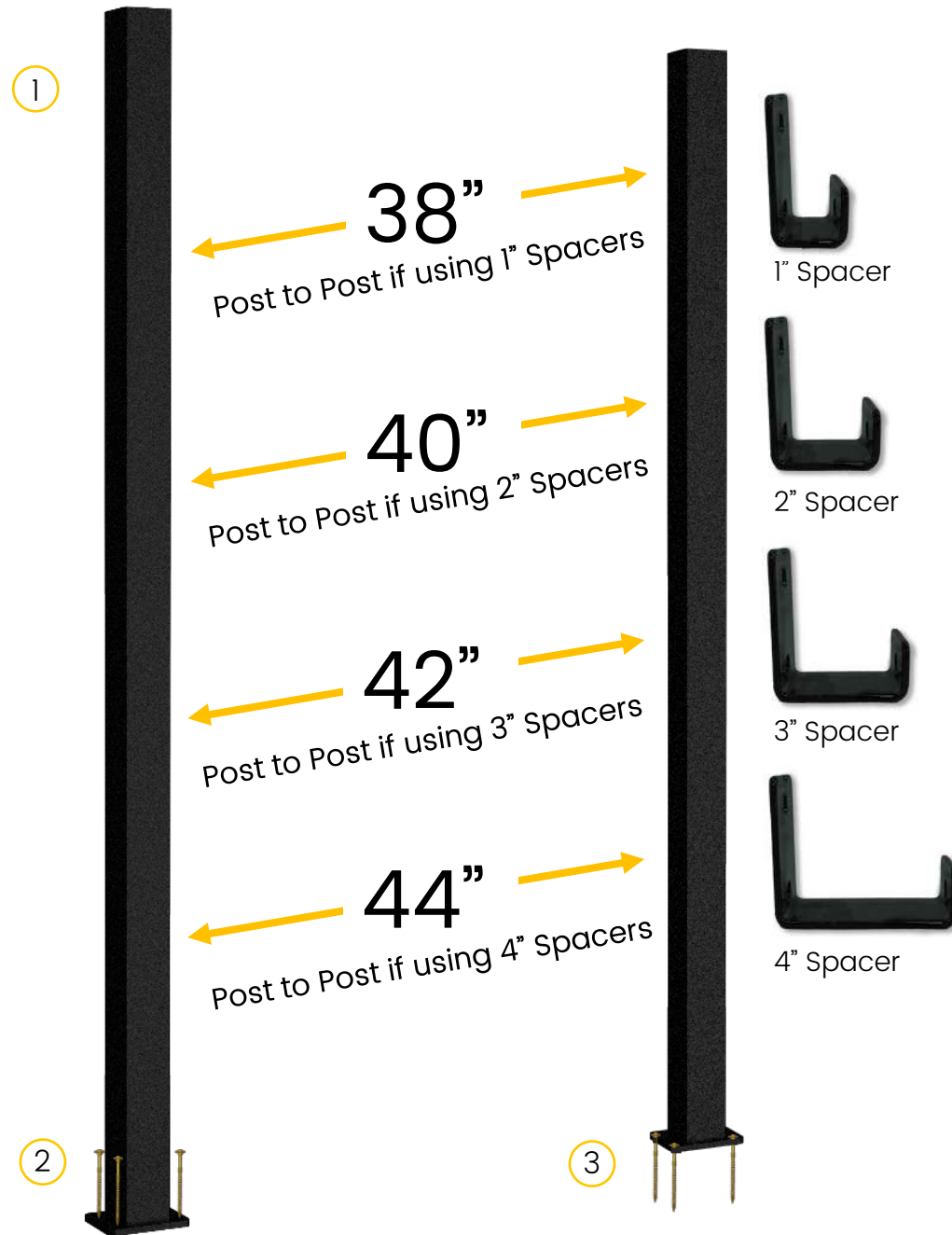
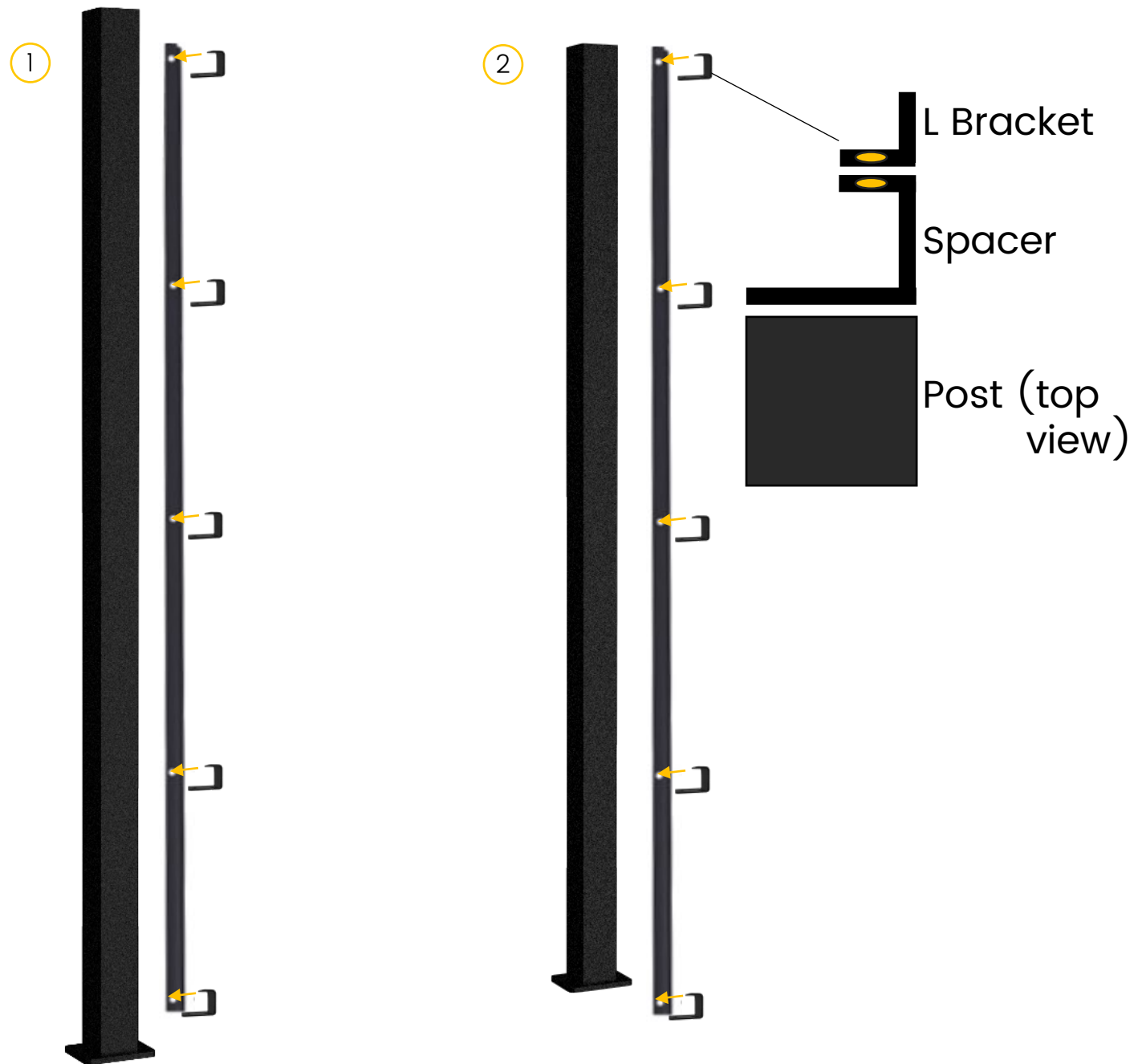


STEP 1 – SCREEN POSTS



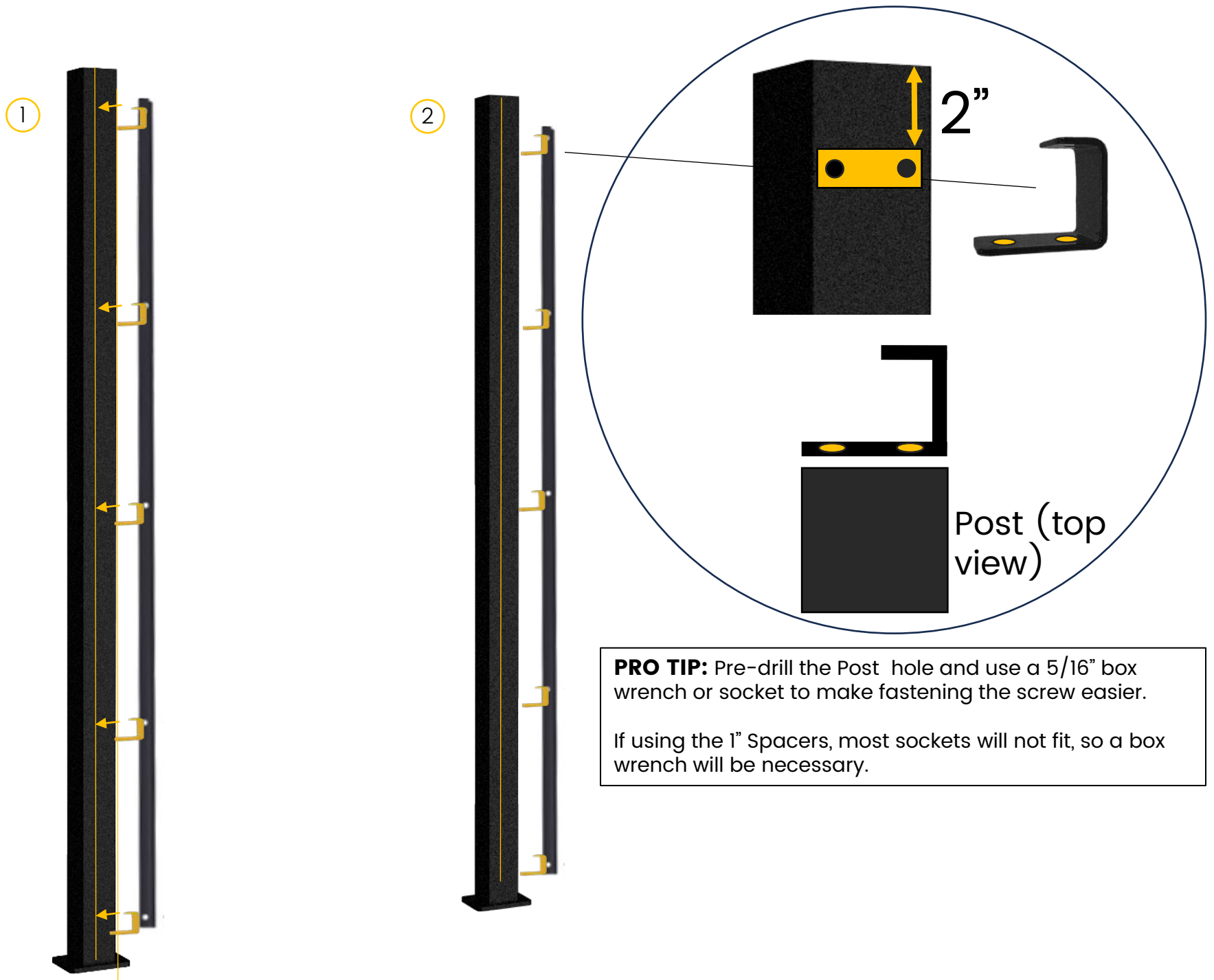
Measuring Post to Post (not base to base), mount Screen Posts 36" apart plus the distance of 2 Spacers being installed.
Fasten to deck substructure using (4) structural deck screws / Screen Post.

STEP 2 – L BRACKETS TO SPACERS



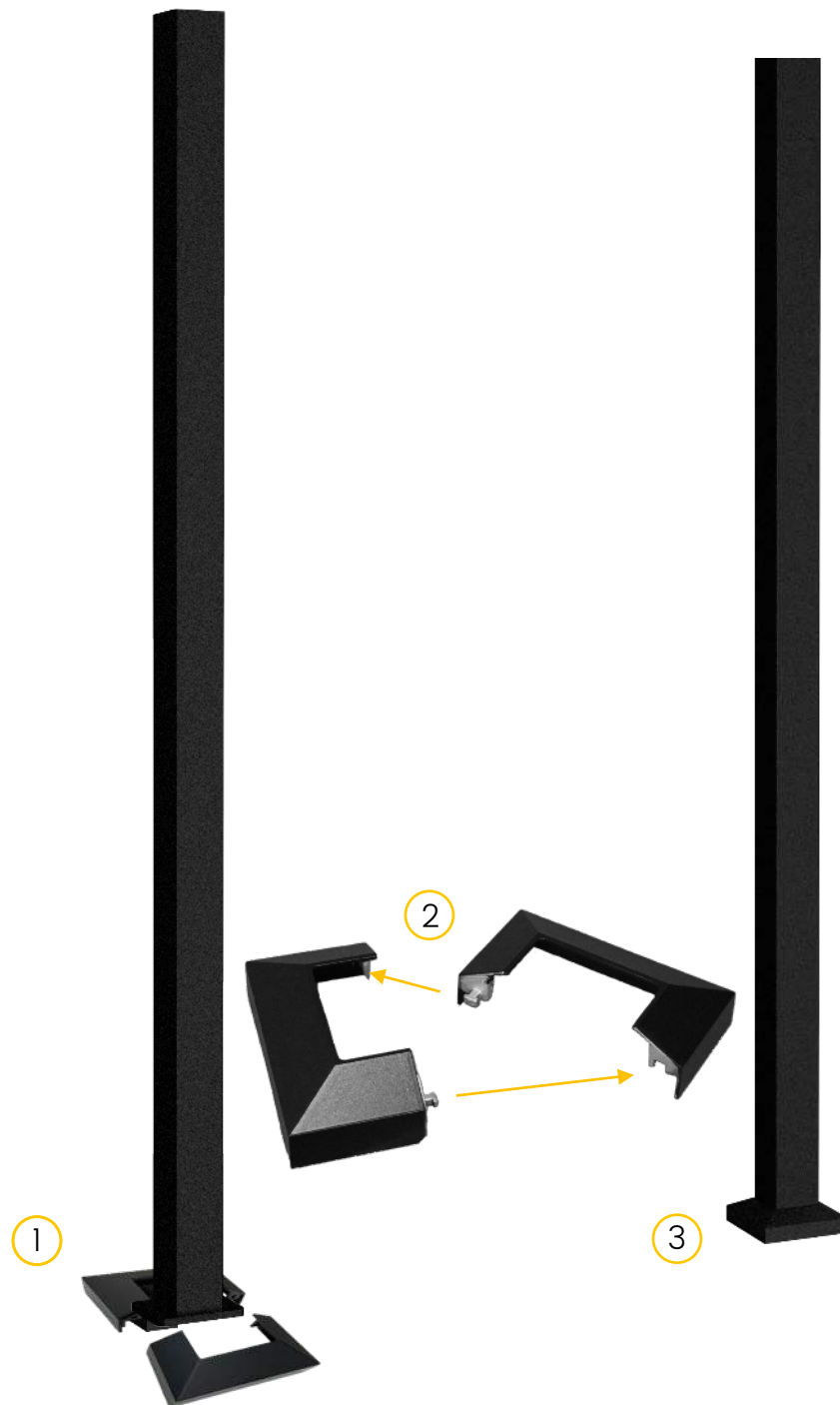
Attach the side of the Spacers with a single hole horizontally to the L Brackets using (5) nuts and bolts per Bracket.

STEP 3 – L BRACKETS TO POSTS



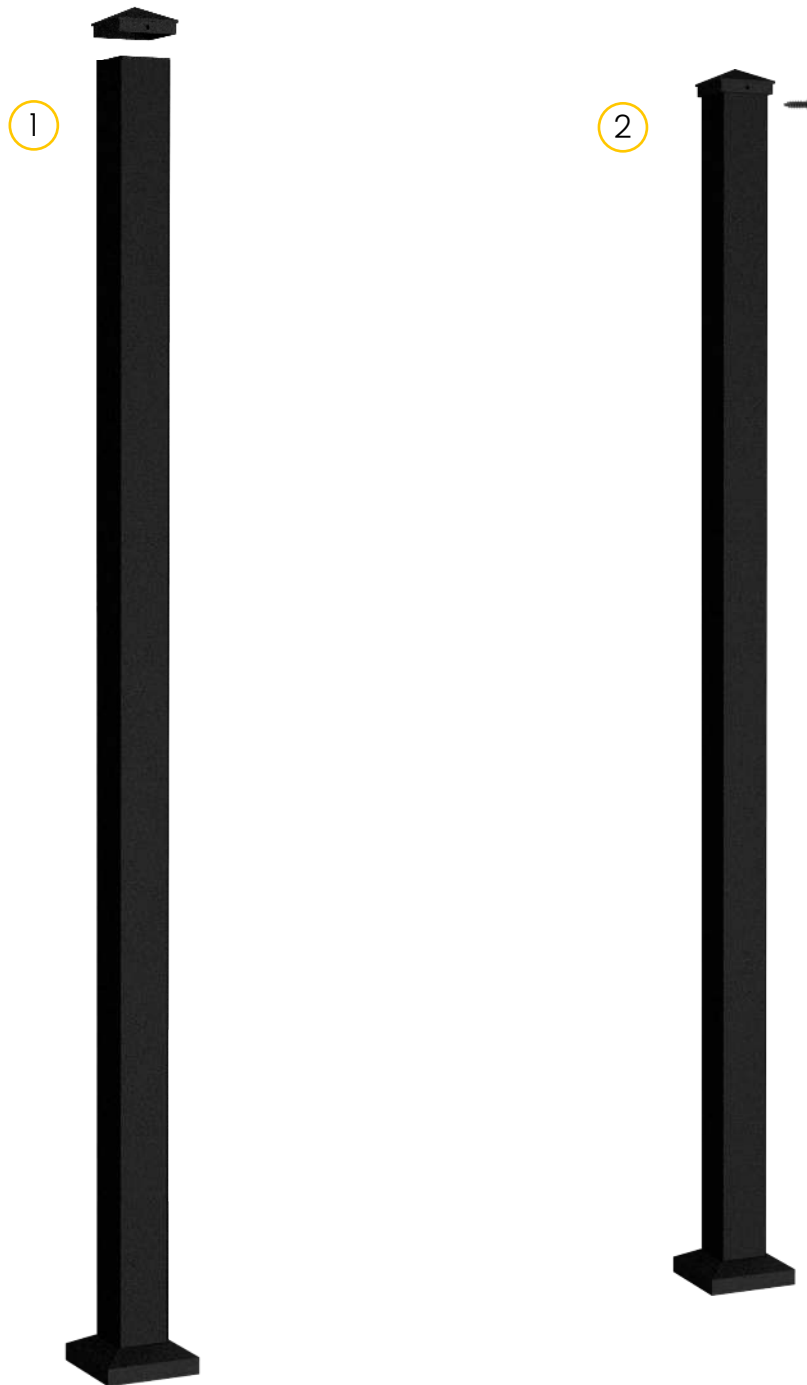
Measure and mark the Post 2" from the top. Line up the top of the Spacer (on the side with 2 holes) to the marked line and center to the Post horizontally. Attach to the Post with 2 self-tapping screws. Continue to center and fasten all Spacers down the length of the Post.

STEP 4 – POST SKIRTS



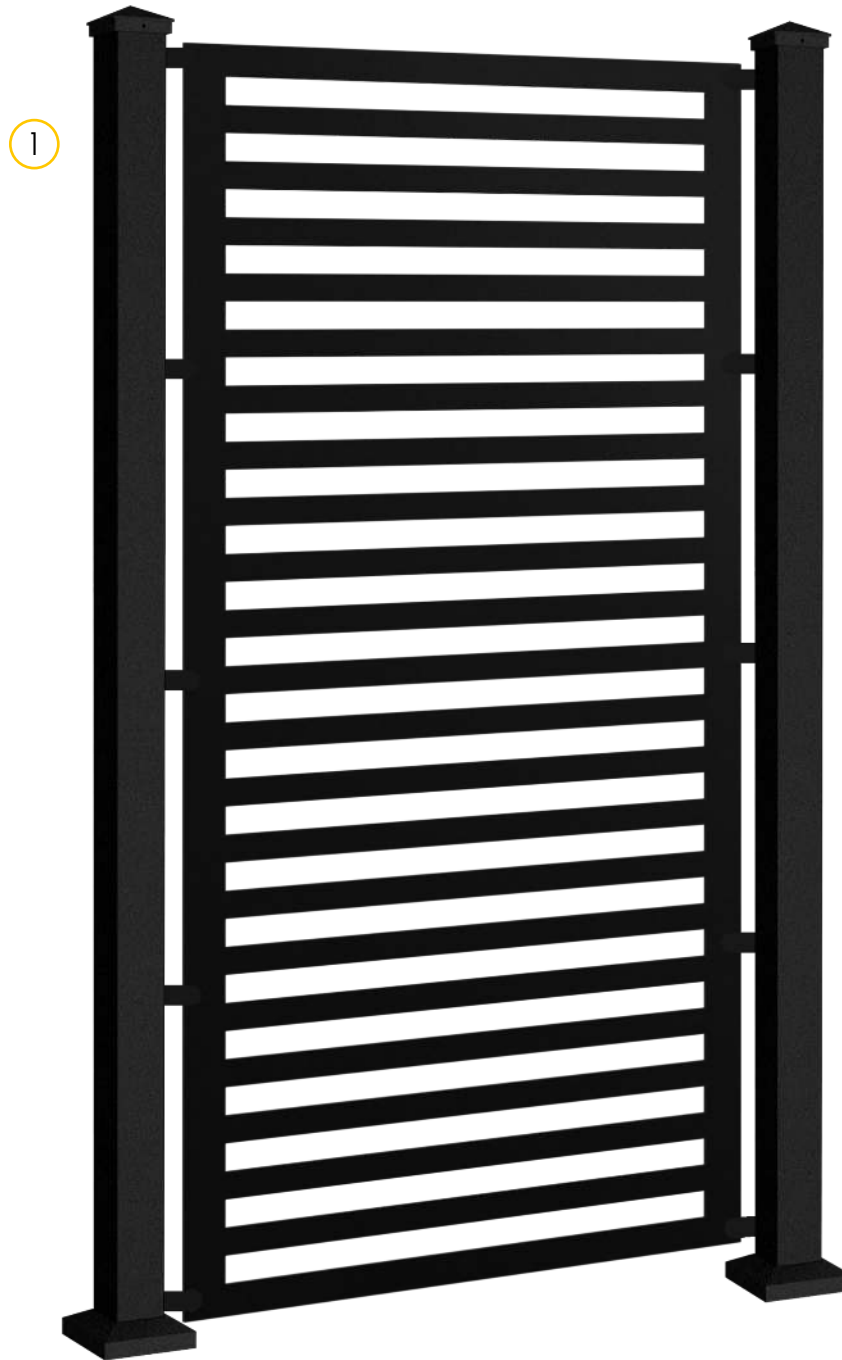
Place one half Post Skirt into place on base of Post with the seams on the sides. Place second half of Post Skirt in interlocking the male and female metal connectors.

STEP 5 – POST CAPS



Place Post Caps on top of Post.
Press down firmly or tap with a rubber mallet to ensure secure fit. Fasten (1) supplied screw through hole in Post Cap.

STEP 6 – INSTALL SCREEN



Place Screen against L Brackets ensuring all 5 holes line up.
Place supplied (10) bolts through holes and place nut on
backside. Tighten until firmly secure.

STEP 6 – ENJOY



Congratulations, you are now ready to enjoy your Sunbelly Privacy Screen(s).